

**SPECIFICATIONS**

**Material:** APM RUBGLAS™ (transparent silicone rubber), polymer type, ASTM D1418.

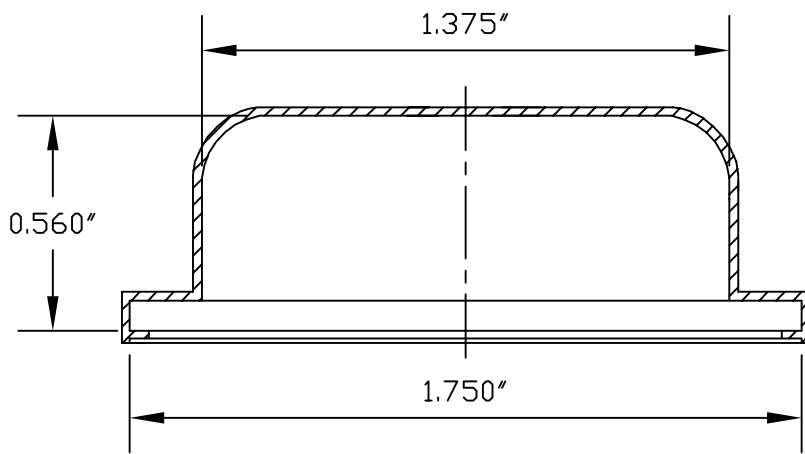
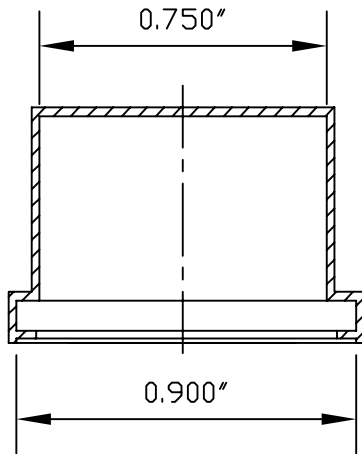
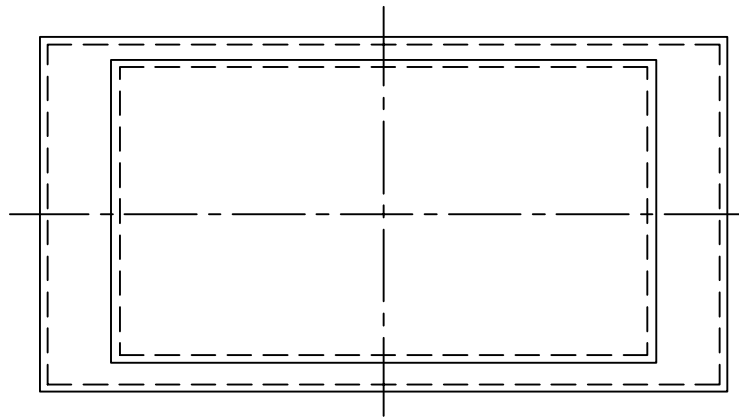
**Temperature Range:** -80°F to +400°F

**Operational Life:** 50,000 actuations (minimum).

**Shelf Life:** Excess of 25 years.

**Resistant to:** Salt spray, sunlight, ozone, weather, fungus, and most acids and lubricating oils

**Agency Recognition:** Rock-R-Seals™ are UL-listed to UL Std. 50, types 1,2, 4R, 5, 12, 12k, 13 and meet CSA standard



B	CHANGED DWG # FROM C1113/80 to 1113/80, REVISED TITLE FOR ACCURACY		07.22.08
A	CAD COMPUTER GENERATED		10.23.02
REV.	DESCRIPTION	DATE	
MAXIMUM AND MINIMUM MEASUREMENTS ARE STATED DIRECTLY ON EACH DIMENSION.	MATERIAL: RUBGLAS®	ENG. S. GOK	07.22.08
		DWN. M.M.	02.21.86
FINISH: TRANSPARENT	APM-HEXSEAL CORPORATION	CHKD. J. CELLA	07.22.08
		SCALE 2 : 1	DWG. NO. 1113/80

THIS DRAWING COVERS PROPRIETARY ITEM AND IS THE PROPERTY OF THE APM-HEXSEAL CORPORATION. THIS DRAWING IS NOT TO BE COPIED OR USED WITHOUT THE WRITTEN APPROVAL OF AN OFFICER OF THE APM-HEXSEAL CORPORATION.